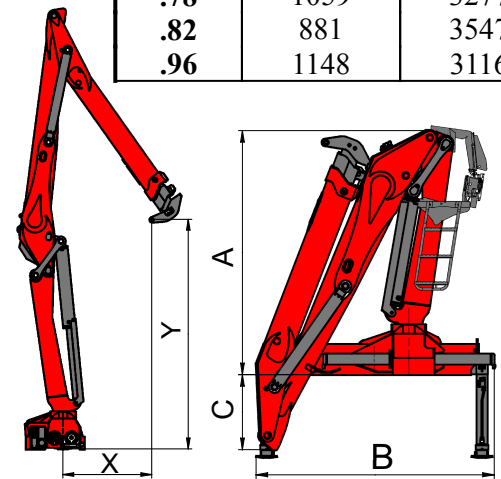


L170Z	X	Y
.78	1059	3277
.82	881	3547
.96	1148	3116



L170Z	A	B	C
.78	2449	2500	780
.82	2449	2500	780
.96	2449	2500	780

	3	4	5	6	7	8	9
<b>96</b>	5110	3950	3280	2890	2460	2100	1820
<b>L190Z</b>	4630	3560	2950	2570	2130	1860	1620
<b>L170Z</b>	4220	3250	2690	2350	1980	1620	1430
<b>L150Z</b>							

[kg] [m]

	3	4	5	6	7	8
<b>82</b>	5160	3990	3310	2910	2500	2144
<b>L190Z</b>	4680	3620	3000	2620	2140	1880
<b>L170Z</b>	4280	3300	2730	2390	1960	1710
<b>L150Z</b>						

[kg] [m]

	3	4	5	6	7
<b>78</b>	5220	4050	3370	2980	2540
<b>L190Z</b>	4730	3670	3070	2660	2200
<b>L170Z</b>	4330	3340	2780	2430	2020
<b>L150Z</b>					

[kg] [m]



Tajfun Liv d.o.o.  
Industrijska cesta 2  
6230 Postojna  
Slovenija

T: +386 5 728 38 90  
F: +386 5 728 38 63  
E: info@tajfun-liv.si  
www.tajfun-liv.si

Tm	kNm
°	
Q	l/min
M	MPa
max	mm
	kNm
	mm
	kg

	L150Z			L170Z			L190Z		
	78	82	96	78	82	96	78	82	96
150	145	141	164	161	157	184	179	176	
	425			425			425		
	1x90 / 2x80 / 1x150LS			1x90 / 2x80 / 1x150LS			1x90 / 2x80 / 1x180LS		
	24			26			25		
	7785	8186	9564	7785	8186	9564	7785	8186	9564
	28			28			28		
	1585	2300	3200	1585	2300	3200	1585	2300	3200
	2506	2563	2602	2516	2573	2612	2731	2813	2857

# Z