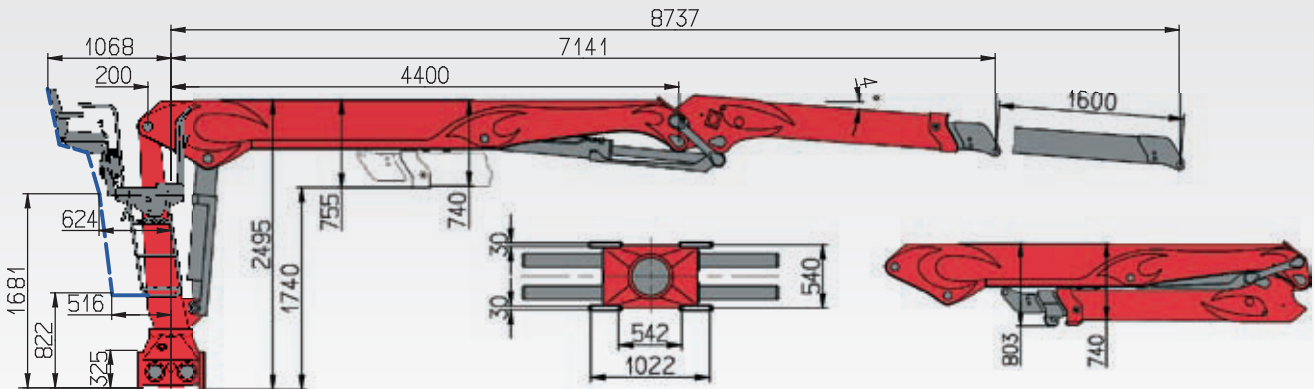


LIV 230K / LIV 270K / LIV 300KinF


145

14464	7800	12865	1600
L270K	2690	2370	2095
L230K	2410	2120	1870
	1840	1640	1500
	1460	1330	1150
	⑧	⑨	⑩
	⑪	⑫	⑬
	⑭		
	[kg]		[m]

87

8737	4400	7141	1600
L300KinF	6966	5645	4704
L270K	6220	5040	4200
L230K	5200	4200	3490
	3998	3570	3120
	3494	2960	2580
	④	⑤	⑥
	⑦	⑧	
	[kg]		[m]

125

12584	6800	10986	1600
L270K	3790	3250	2830
L230K	3170	2730	2400
	2480	2170	1960
	1750	1540	
	⑥	⑦	⑧
	⑨	⑩	⑪
	⑫		
	[kg]		[m]

81

8137	3800	6541	1600
L300KinF	6933	5667	4715
L270K	6190	5060	4210
L230K	5190	4230	3500
	4043	3610	3270
	2920	2420	
	④	⑤	⑥
	⑦	⑧	
	[kg]		[m]

110

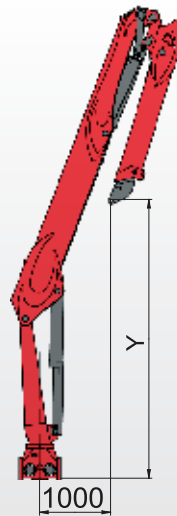
10839	5000	9243	1600
L270K	3940	3430	2990
L230K	3260	2860	2510
	2600	2200	1970
	⑥	⑦	⑧
	⑨	⑩	
	[kg]		[m]

99

9900	3800	6709	3200
L300KinF	6944	5690	4738
L270K	6200	5080	4230
L230K	5200	4250	3520
	4054	3620	2920
	2320	1930	
	④	⑤	⑥
	⑦	⑧	⑨
	[kg]		[m]

93

9337	5000	7741	1600
L300KinF	6955	5667	4726
L270K	6210	5060	4220
L230K	5200	4220	3510
	4010	3580	3120
	2690	2210	
	④	⑤	⑥
	⑦	⑧	⑨
	[kg]		[m]



	Y
.81	3272
.87	3845
.93	4455
.99	3123
.110	2865
.125	4840
.145	4930