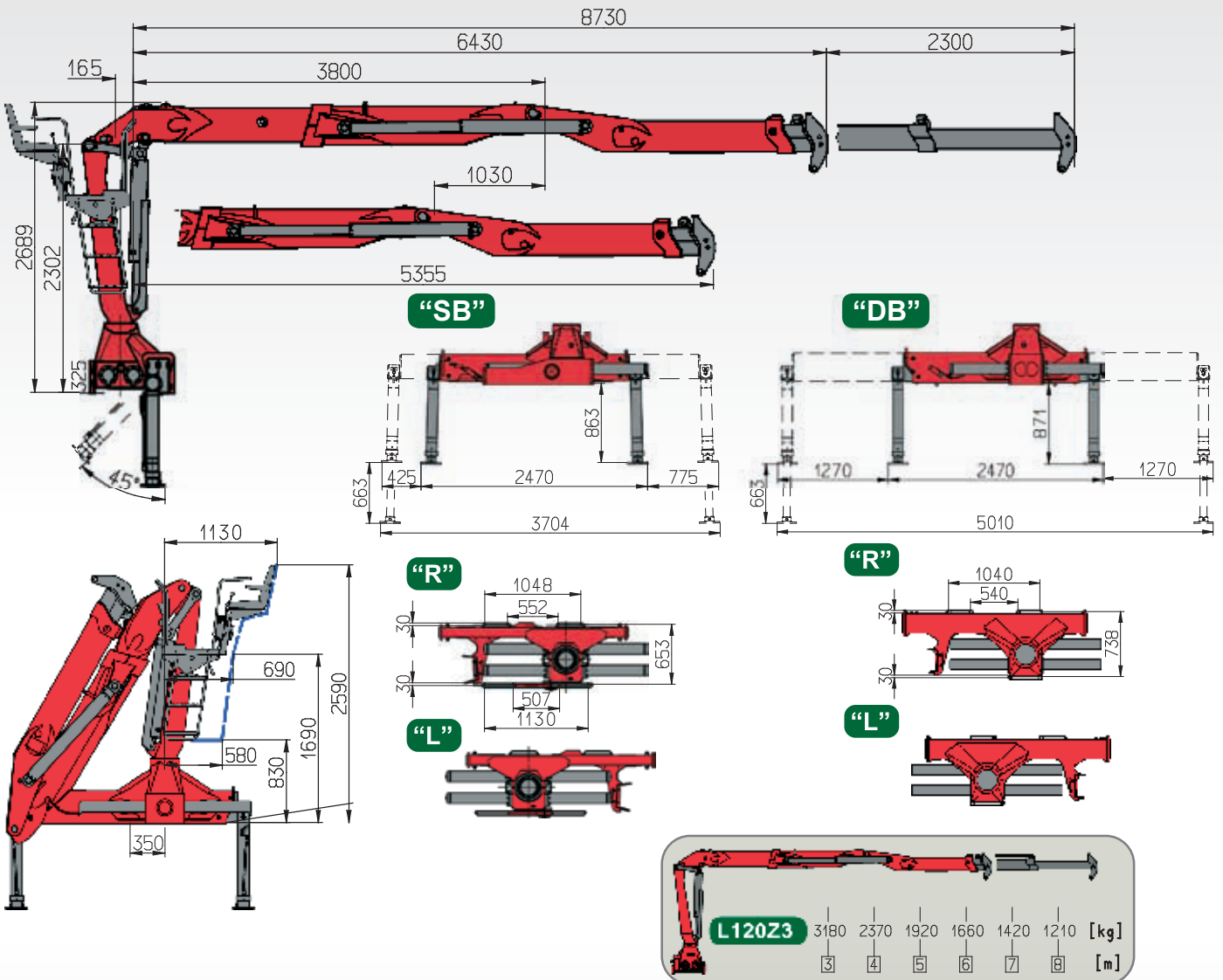


**»Z«**
**LIV 120Z3**

**»Z3«**

Transversely folding cranes which besides all advantages of »Z« cranes enable mounting on hook lifts and trucks where there is a lack of space for positioning of the boom system. It is achieved with a very compact boom mechanism with a telescopic main boom enabling an improved kinematics. Due to their all - purpose possibilities these cranes can be used for handling different loads from waste materials to short wood and timbers. They are manufactured with outreach of 8.8 m and capacity from 102 to 156 kNm.