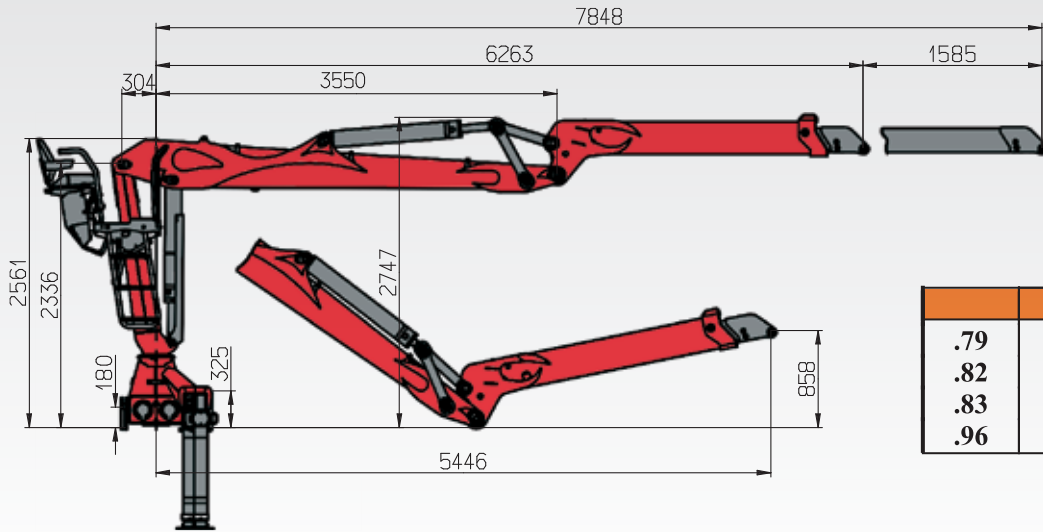
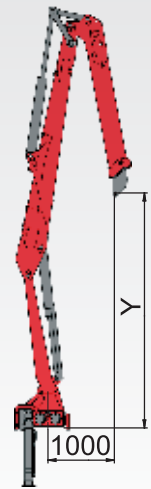
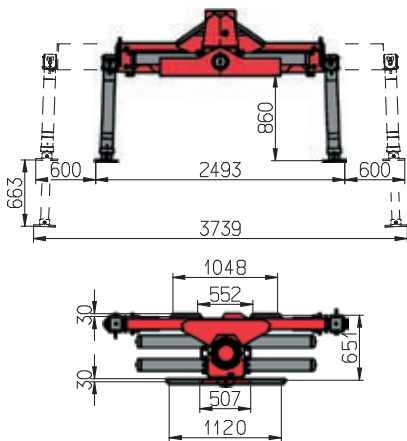
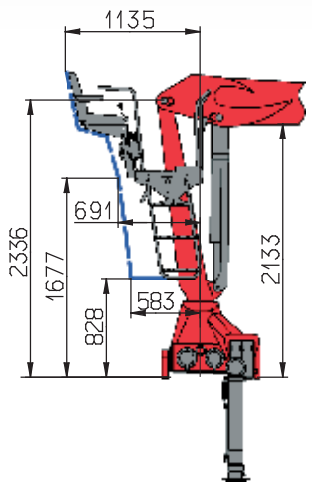
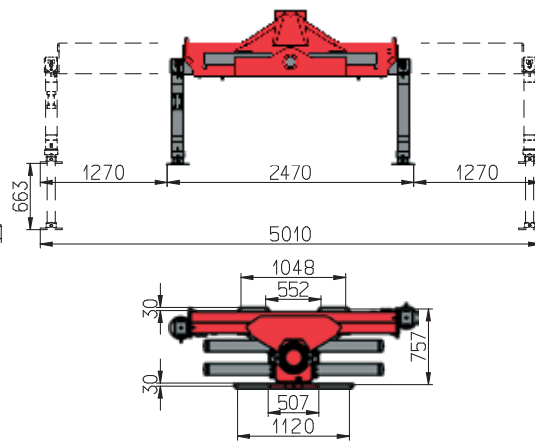


LIV 120K


	Y
.79	3700
.82	4060
.83	4130
.96	3550


“SB”

“DB”

“N”
