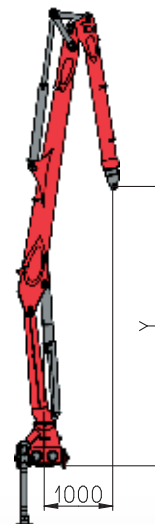
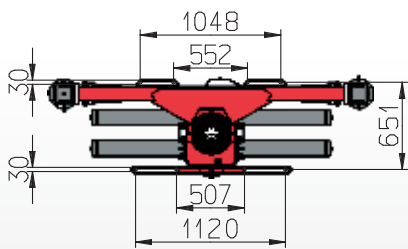
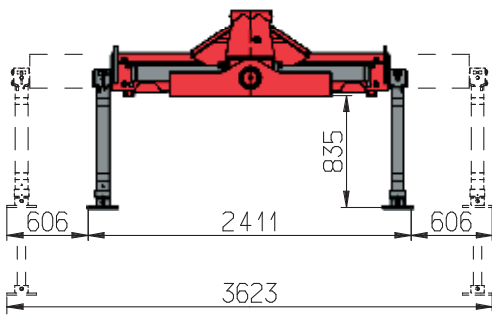
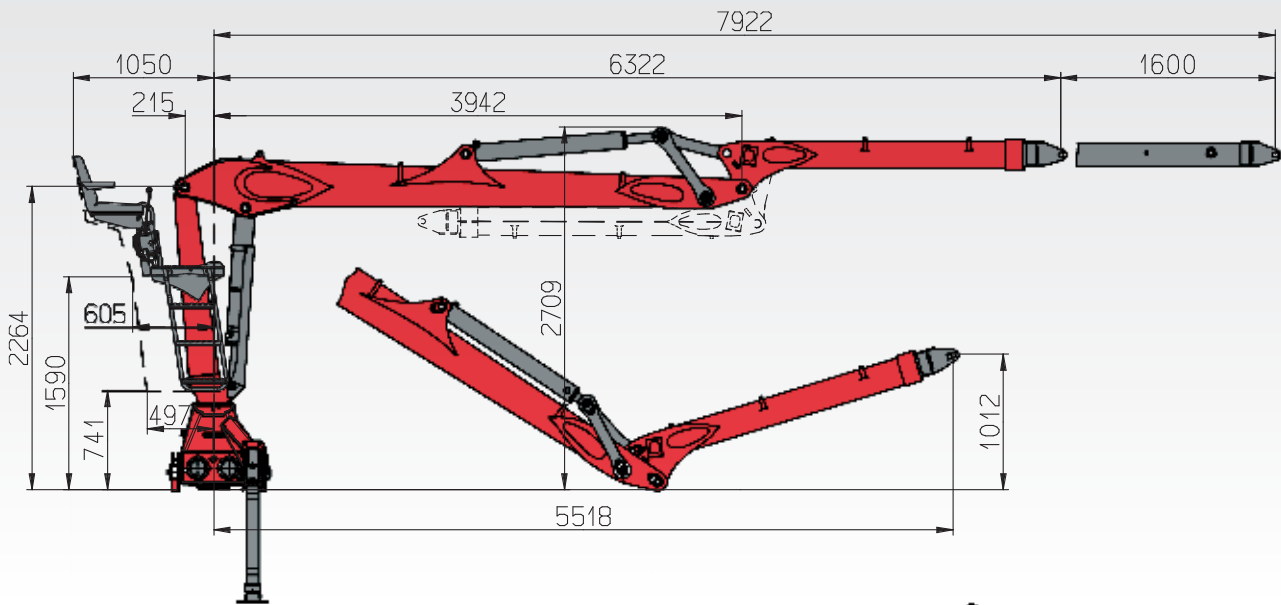


LIV 100K


	Y
.78	4066
.88	4179

88

2950	2250	1803	1510	1280	1125 [kg]
3	4	5	6	7	8 [m]

78

2965	2366	1919	1625	1352 [kg]
3	4	5	6	7 [m]